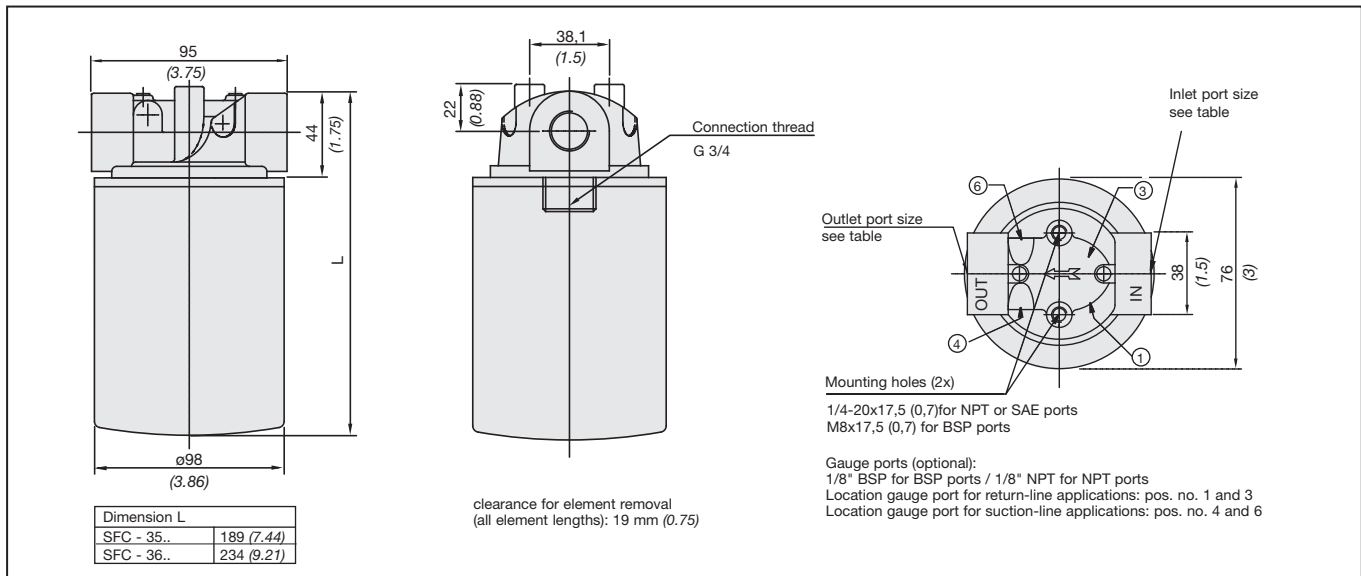


## Technical Specification

Construction	Die cast aluminium head
Seals	NBR (Buna-N®) seals
Port connections	NPT or BSP thread
Flow rate	90 l/min (25 US GPM) for return line, 23 l/min (6 US GPM) for suction line applications
Working pressure	max 12 bar (174 PSI), maximum pressure differential of 5,5 bar (80 PSI) for any application with no by-pass valve
Operating temperature	-32°C to +100°C (-25°F to 212°F)
By-pass valve	integrated in the filter head (optional)
Clogging indicators	Pressure gauge with colored segments, Electrical 0.35...2.5 bar (5...35 PSI) adjustable see page F115
Elements	For use with SFC35/36 series elements, For element types and flow characteristics see pages F112...F114
Media	Mineral oils, other fluids on request



## Dimensions



Dimensions in mm (inch)

## Ordering Code

**SSF 12 - 25 - 0**

Filter Type		SSF
Port Options		
Code	Connection Style	
12	BSP	G <sup>3</sup> / <sub>4</sub> "
12N	NPT	<sup>3</sup> / <sub>4</sub> "

By-pass Options	
Code	Description
00	No by-pass
03	0,2 bar (3 PSI)
05	0,35 bar (5 PSI)
15	1 bar (15 PSI)
25	1,7 bar (25 PSI)

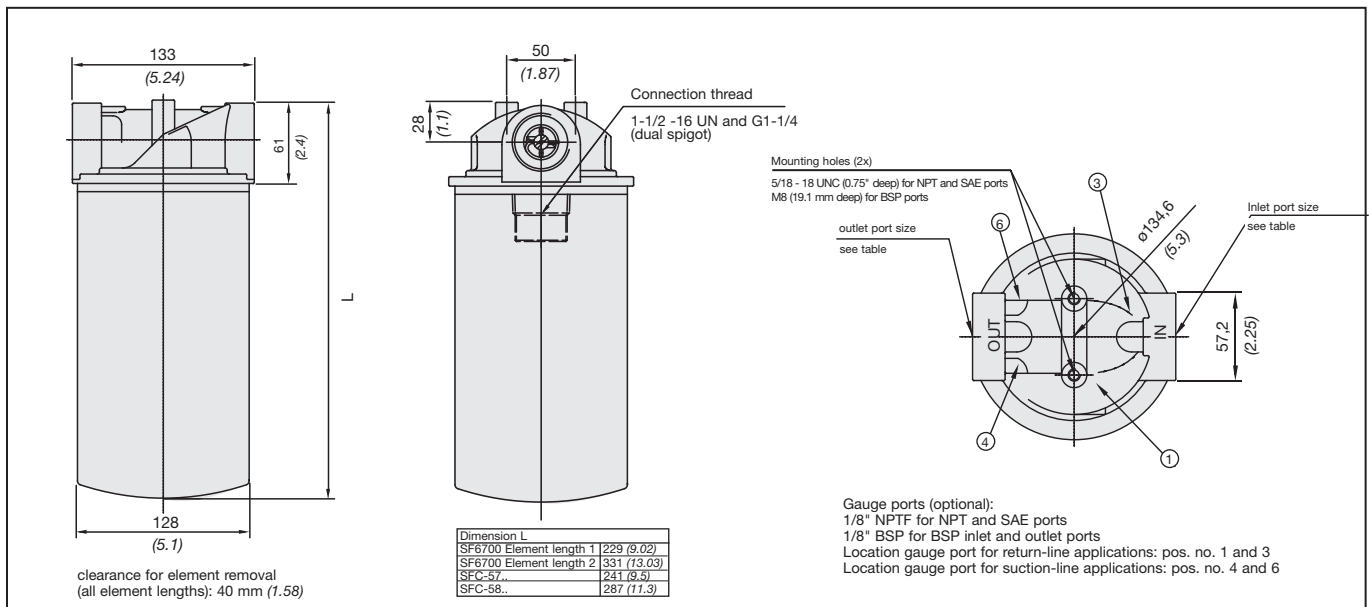
Indicator Port Options	
Code	Description
0	No indicator port
1	Gauge port drilled-return
2	Gauge port drilled-suction
4	All gauge ports drilled
9	Special
Note: Standard gauge port is 1/8" NPTF thread for SSF12N version.	

## Technical Specification

Construction	Die cast aluminium head
Seals	NBR (Buna-N®)
Port connections	BSP, NPT or SAE "O"-Ring thread
Flow rate	225 l/min (60 US GPM) for return line, 46 l/min (12 US GPM) for suction line applications
Working pressure	max 14 bar (200 PSI), maximum pressure differential of 5,5 bar (80 PSI) for any application with no by-pass valve
Operating temperature	-32°C to +100°C (-25°F to 212°F)
By-pass valve	integrated in the filter head (optional)
Clogging indicators	Pressure Gauge with colored segments, Electrical 0.35...2.5 bar (5...35 PSI) adjustable see page F115
Elements	For use with SF6700 and SFC-57/58 series elements, for element types and flow characteristics see pages F108...F111 for SF6700 see pages F113...F114 for SFC57/58
Media	Mineral oils, other fluids on request



## Dimensions



## Ordering Code

**SSF 120 - 25 - 0**

Filter Type	SSF	
Port Options		
Code	Connection Style	
100	NPT	1 NPT
20L	BSP	G1 1/4
120L	NPT	1 1/4 NPT
120	NPT	1 1/4 NPT
130	SAE	1 5/16 -12 UN
160	SAE	1 5/8 -12 UN

Note: SSF-20L and SSF-120L filters use a wide cut or "L" shaped element seal. All others use a thin cut element seal

By-pass Options	
Code	Description
00	No by-pass
03	0.2 bar (3 PSI)
05	0.35 bar (5 PSI)
15	1 bar (15 PSI)
25	1.7 bar (25 PSI)

Indicator Port Options	
Code	Description
0	No indicator port
1	Gauge port drilled-return
2	Gauge port drilled-suction
4	All gauge ports drilled
9	Special

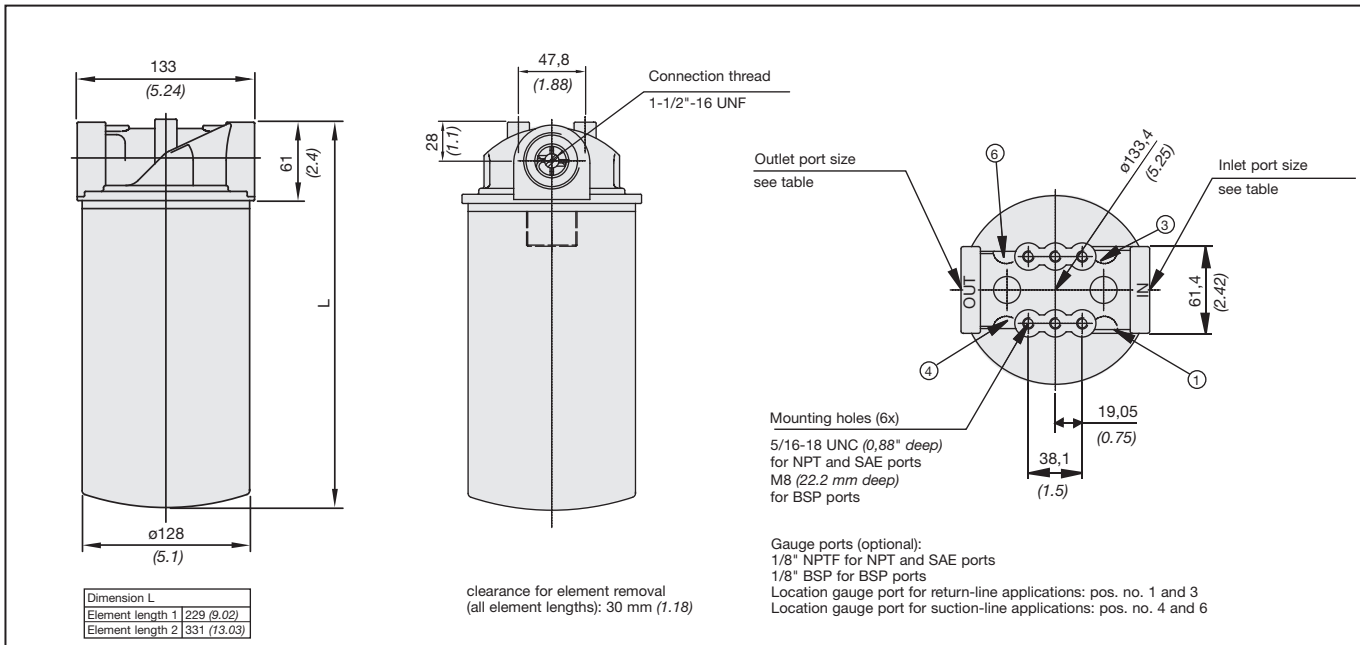
Note: Standard gauge port for BSP connection port is G 1/8". Standard gauge port for NPT and SAE connection port is 1/8" NPTF

## Technical Specification

Construction	Die cast aluminium head
Seals	NBR (Buna-N®)
Port connections	BSP, NPT or SAE "O"-Ring thread
Flow rate	300 l/min (80 US GPM) for return line, 113 l/min (30 US GPM) for suction line applications
Working pressure	max 14 bar (200 PSI), maximum pressure differential of 5.5 bar (80 PSI) for any application with no by-pass valve
Operating temperature	-32°C to +100°C (-25°F to 212°F)
By-pass valve	integrated in the filter head (optional)
Clogging indicators	Pressure gauge with colored segments, Electrical 0.35...2.5 bar (5...35 PSI) adjustable see page F115
Elements	For use with SF6700 series elements, For element types and flow characteristics see pages F108...F111
Media	Mineral oils, other fluids on request



## Dimensions



Dimensions in mm (inch)

## Ordering Code

**SSF 150 - 25 - 0**

Filter Type		
SSF		
Port Options		
Code	Connection Style	
150	NPT	1 1/2 NPT
150B	BSP	G1 1/2
180	SAE	1 7/8-12 UN

By-pass Options	
Code	Description
00	No by-pass
03	0,2 bar (3 PSI)
05	0,35 bar (5 PSI)
15	1 bar (15 PSI)
25	1,7 bar (25 PSI)

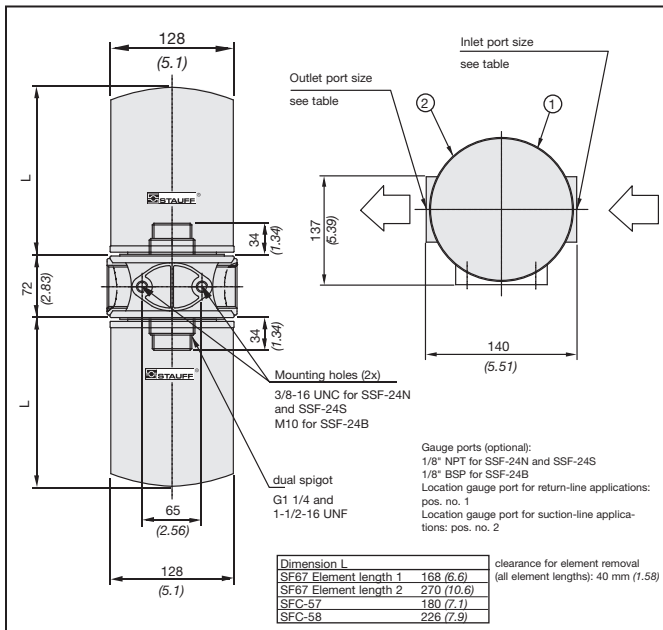
Indicator Port Options	
Code	Description
0	No indicator port
1	Gauge port drilled-return
2	Gauge port drilled-suction
4	All gauge ports drilled
9	Special
Note: Standard gauge port for BSP connection port is G 1/8". Standard gauge port for NPT and SAE connection port is 1/8" NPTF.	

## Technical Specification

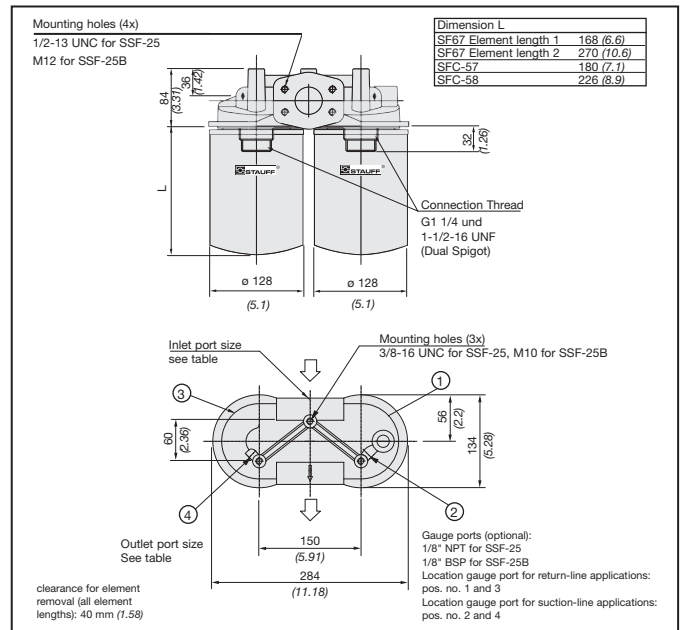
Construction	Die cast aluminium head
Seals	NBR (Buna-N®)
Port connections	BSP, NPT, SAE flange or SAE-”O”-Ring thread
Flow rate	454 l/min (120 US GPM) for return line, 132 l/min (35 US GPM) for suction line applications
Working pressure	max 12 bar (174 PSI), maximum pressure differential of 5.5 bar (80 PSI) for any application with no by-pass valve
Operating temperature	-30°C to +100°C (-22°F to 212°F)
By-pass valve	integrated in the filter head (optional)
Clogging indicators	Pressure gauge with colored segments, Electrical 0.35...2.5 bar (5...35 PSI) adjustable See page F115
Elements	For use with SF6700 and SFC-57/58 series elements, for element types and flow characteristics see pages F108..F111 for SF6700 see pages F113...F114 for SFC-57/58
Media	Mineral oils, other fluids on request



## Dimensions SSF24

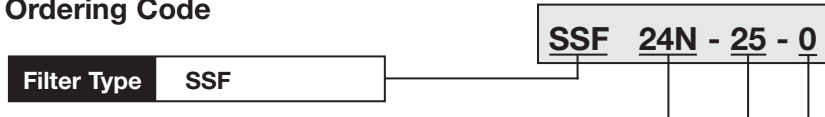


## Dimensions SSF25



Dimensions in mm (inch)

## Ordering Code



Port Options		
Code	Connection Style	
24B	BSP	G1 1/2
24N	NPT	1 1/2 NPT
24S	SAE	1 7/8 -12 UN
25	NPT & SAE Flange	1 1/2" NPT & 2" SAE Code 61 Flange
25B	BSP & SAE Flange	G 1 1/4" & 1 1/2" SAE Code 61 Flange

By-pass Options	
Code	Description
00	No by-pass
03	0.2 bar (3 PSI)
05	0,35 bar (5 PSI)
15	1 bar (15 PSI)
25	1.7 bar (25 PSI)

Indicator Port Options	
Code	Description
0	No indicator port
1	Gauge port drilled-return
2	Gauge port drilled-suction
4	All gauge ports drilled
9	Special

Note: Standard gauge port for SSF-24B and SSF-25B is G 1/8". For all other types standard gauge port is 1/8" NPTF.