

Clogging Indicators

Visual Clogging Indicators



SIS



GV-10

Visual Vacuum Clogging Indicators (for Spin-On Filter in suction line applications)

	Type	Thread Connection G	Unit of scale	Range of scale	Coloured Segments			Valve setting Spin-On Filter
					Green	Yellow	Red	
BSP	SIS	1/8	cm Hg	-76 ... 0	-13 ... 0	-18 ... -13	-76 ... -18	0,2 bar / 3 PSI
NPT	GV-5	1/8	in Hg	-30 ... 0	-4 ... 0	-6 ... -4	-30 ... -6	0,2 bar / 3 PSI
	GV-10	1/8	in Hg	-30 ... 0	-9 ... 0	-11 ... -9	-30 ... -11	0,35 bar / 5 PSI



SIM-04



CI-12

Visual Pressure Clogging Indicators (for Spin-On Filter in return line applications)

	Type	Thread Connection G	Unit of scale	Range of scale	Coloured Segments			Valve setting Spin-On Filter
					Green	Yellow	Red	
BSP	SIM-02	1/8	bar	0 ... 2,5	0 ... 1,2	1,2 ... 1,5	1,5 ... 2,5	1,7 bar / 25 PSI
	SIM-04	1/8	bar	0 ... 4	0 ... 2,5	2,5 ... 3	3 ... 4	1,7 bar / 25 PSI
	SIM-12	1/8	bar	0 ... 12	without coloured segments			1,7 bar / 25 PSI
NPT	CI-12	1/8	PSI	0 ... 100	0 ... 13	13 ... 15	15 ... 100	1 bar / 15 PSI
	CI-20	1/8	PSI	0 ... 100	0 ... 21	21 ... 25	25 ... 100	1,7 bar / 25 PSI

Electrical Clogging Indicators



SIE-NO/NC



EPS/EVS

Electrical Clogging Indicators (for Spin-On Filter in return line or suction line applications)

	Type	Thread Connection G	Unit of scale	Adjustable range / Actuating pressure	Max. over pressure	Spin-On filter application	Valve setting Spin-On Filter
BSP	SIE-NO	1/8	bar	1,3 (normally open)	80 bar / 1160 PSI	Return line application	1,7 bar / 25 PSI
	SIE-NC	1/8	bar	1,3 (normally closed)	80 bar / 1160 PSI	Return line application	1,7 bar / 25 PSI
	EPS-1B	1/8	bar	0,35 ... 2,5	25 bar / 362 PSI	Return line application	1,7 bar / 25 PSI
	EVS-1B	1/8	mbar	-1000 ... -150	25 bar / 362 PSI	Suction line application	0,2 bar / 3 PSI
NPT	EPS-1	1/8	PSI	5 ... 35	24 bar / 350 PSI	Return line application	1,7 bar / 25 PSI
	EVS-1	1/8	in Hg	-30 ... -5	24 bar / 350 PSI	Suction line application	0,2 bar / 3 PSI

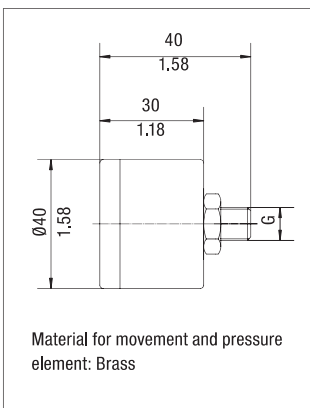
Technical Data SIE / EPS / EVS

	Type EPS-1 / 1B	Type EVS-1 / 1B
Electrical data	6 Amp 125/250 V AC	
Protection	DIN 43650 IP65	
Temperature Range	-5°C ... +90°C / +23°F ... +194°F (ambient and media)	
Diaphragm Material	NBR (Buna-N®)	NBR (Buna-N®)
Housing Material	Brass	Steel
Adjustable Range	0,35 bar ... 2,0 bar / 5 ... 30 PSI	150 ... 1000 mbar / 5 ... 30 in Hg
Dead Band	20% F.S.	25% F.S.
Weight	0,1 kg / .22 lbs	0,1 kg / .22 lbs
Repeatability	± 2%	
Hirschmann Connector With Strain Relief		

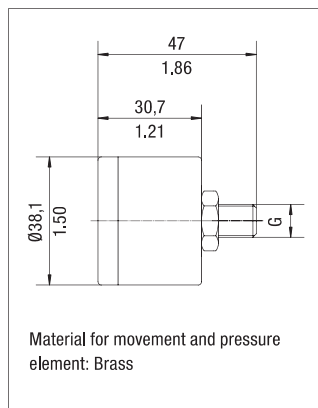
	Type SIE (electrical switch)
Electrical data	48V
Protection	DIN 43650 IP54
Temperature Range	-5 °C ... +60 °C / 23 °F ... +140 °F (ambient and media)
Diaphragm Material	NBR (Buna-N®)
Housing Material	Brass
Actuating Pressure	1,3 bar / 19 PSI
Max. current (res.)	0,5 A
Max. current (ind.)	0,2 A
Available as "normally open" (closes contact at actuating pressure) and as "normally closed" (opens contact at actuating pressure)	

Dimensions

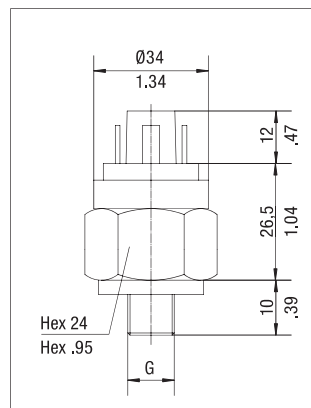
Type SIM / SIS



Type GV / CI



Type SIE



Type EPS / EVS

