



Area of Application:

Tank ventilation

Characteristics:

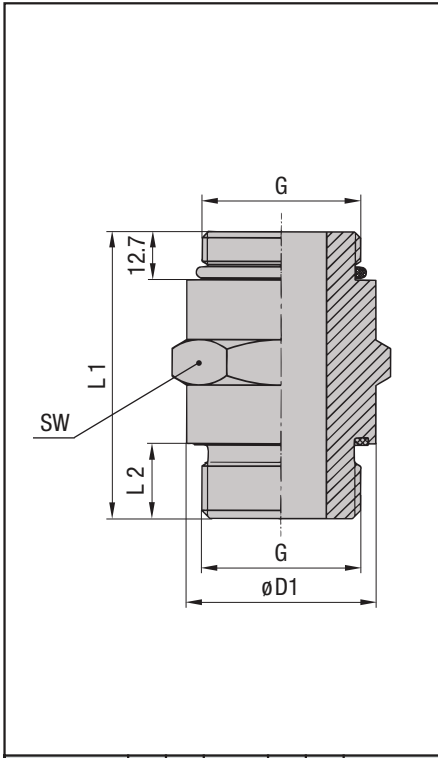
- Standard micron rating: 3 µm glass fibre
- Rate of air flow
 SGB-090: 0.5 m³/min.
 SGB-120: 1.5 m³/min.
- Adaptors*
 TBA-075-B for SGB-090
 TBA-125-B for SGB-120

Also, SGB are designed to be used as air filters for STAUFF desiccant breathers (see pages 22 and 23).

* Adaptors

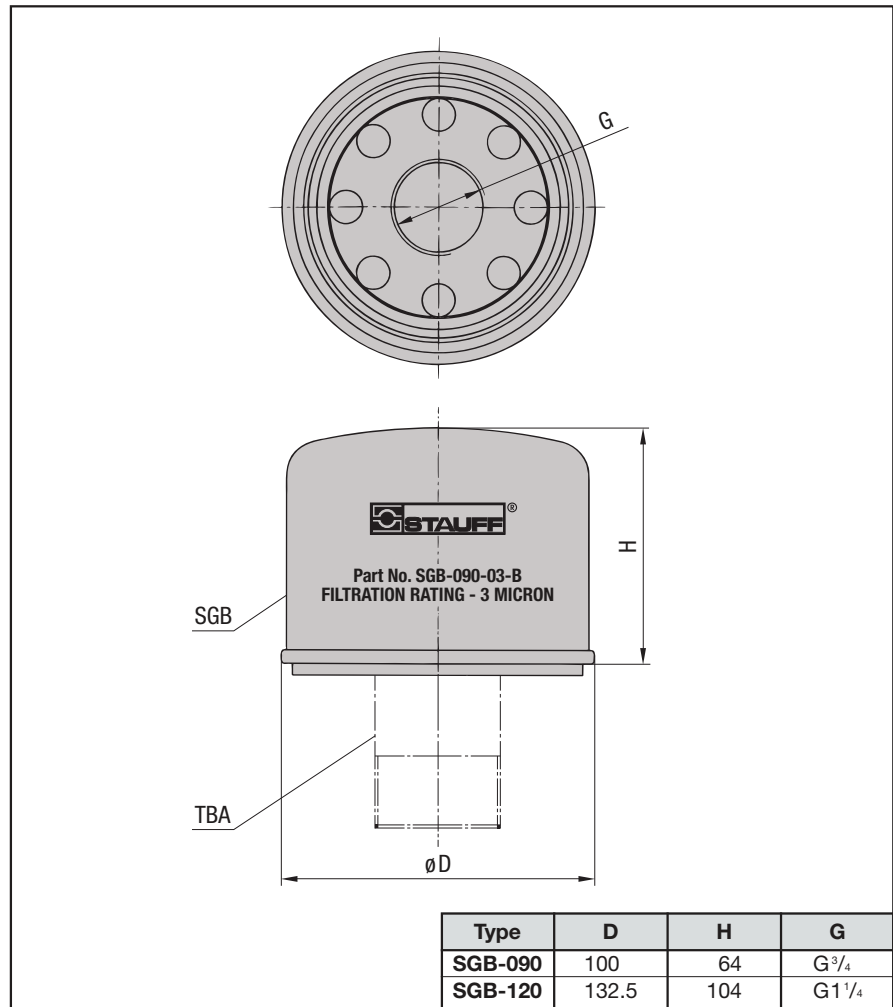
On request, screw-in adaptors for giant breathers SGB-090 and SGB-120 are available in combination with giant air breathers.

Dimensions TBA



Type	L1	L2	G	D1	SW	O-Ring
TBA-075-B	57	16	G ³ / ₄	32	32	ø23.5x3
TBA-125-B	76	20	G1 ¹ / ₄	50	50	ø38.5x3

Dimensions SGB



Type	D	H	G
SGB-090	100	64	G ³ / ₄
SGB-120	132.5	104	G1 ¹ / ₄

Ordering Code

