



Construction:

Stainless steel media 30% glass
filled nylon head. Zintec centre tube.
Epoxy adhesives.

Maximum working temperature:

90°C.

Filtration media:

125 micron*.

Flow range:

15-500 l/min.

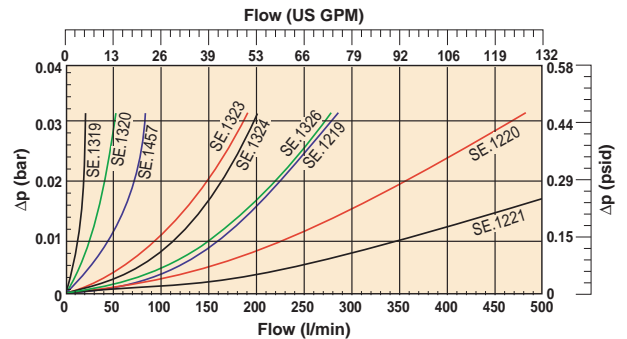
By-pass rating:

0.17 bar.

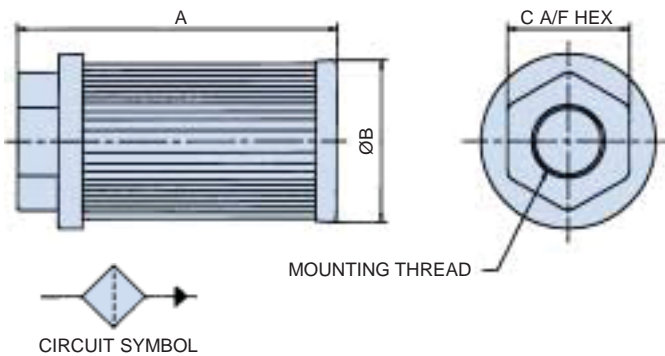
Mounting threads:

G^{1/2} up to G3.

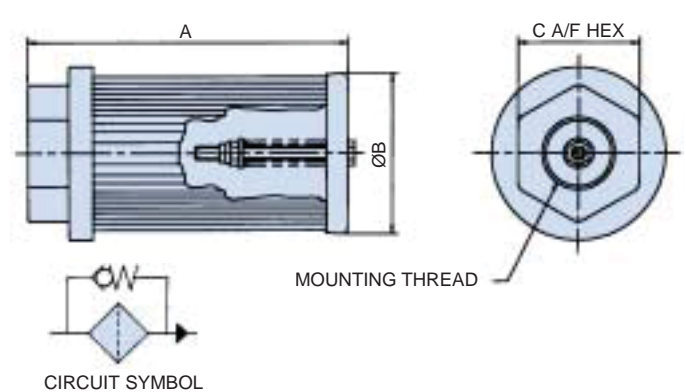
* NON-STANDARD ELEMENTS ARE
AVAILABLE TO ORDER, NPT OPTIONS
AVAILABLE. CONSULT PARKER
FILTRATION.



INSTALLATION — SUCTION ELEMENTS WITHOUT BYPASS



INSTALLATION — SUCTION ELEMENTS WITH BYPASS



ORDERING INFORMATION — WITHOUT BYPASS

Note: To select filter element relate l/min directly to pump flow rating. The following range is standard, but other ratings are available.

Part Number without by-pass	Supersedes		Flow l/min	Thread		Micron Rating	A mm	B mm	C mm	Weight Kg
				G	BSP					
SE.1319	SSI.A1A1AP	—	15	1/2	1/2	125	105.5	46	36	0.08
SE.1320	SSI.B2A1AP	H00714-003	25	3/4	3/4	125	109.5	64	46	0.15
SE.1457	SSI.B3A1AP	H00714-007	50	1	1	125	139.5	64	55	0.17
SE.1323	SSI.C4A1AP	H00714-015	95	1 1/2	1 1/2	125	140	86	65	0.28
SE.1324	SSI.C5A1AP	H00714-019	130	1 1/2	1 1/2	125	200	86	65	0.33
SE.1326	SSI.C6A1AP	—	180	2	2	125	260	86	75	0.40
SE.1219	SSI.D7A1AP	—	225	2	2	125	150	150	70	0.64
SE.1220	SSI.D8A1AP	—	350	2 1/2	2 1/2	125	212	150	90	0.72
SE.1221	SSI.D9A1AP	—	500	3	3	125	272	150	100	0.92

ORDERING INFORMATION — WITH BYPASS

Note: To select filter element relate l/min directly to pump flow rating. The following range is standard, but other ratings are available.

Part Number with by-pass	Supersedes		Flow l/min	Thread		Micron Rating	A mm	B mm	C mm	Weight Kg
				G	BSP					
SE.5100	SSI.A1A1BP	—	15	1/2	1/2	125	105.5	46	36	0.11
SE.5101	SSI.B2A1BP	—	25	3/4	3/4	125	109.5	64	46	0.18
SE.5102	SSI.B3A1BP	H00714-008	50	1	1	125	139.5	64	55	0.21
SE.5103	SSI.C4A1BP	H00714-016	95	1 1/2	1 1/2	125	140	86	65	0.31
SE.5104	SSI.C5A1BP	H00714-020	130	1 1/2	1 1/2	125	200	86	65	0.36
SE.5105	SSI.C6A1BP	—	180	2	2	125	260	86	75	0.43
SE.5106	SSI.D7A1BP	—	225	2	2	125	150	150	70	0.67
SE.5107	SSI.D8A1BP	—	350	2 1/2	2 1/2	125	212	150	90	0.75
SE.5108	SSI.D9A1BP	—	500	3	3	125	272	150	100	0.95

Note: Non-standard elements available.