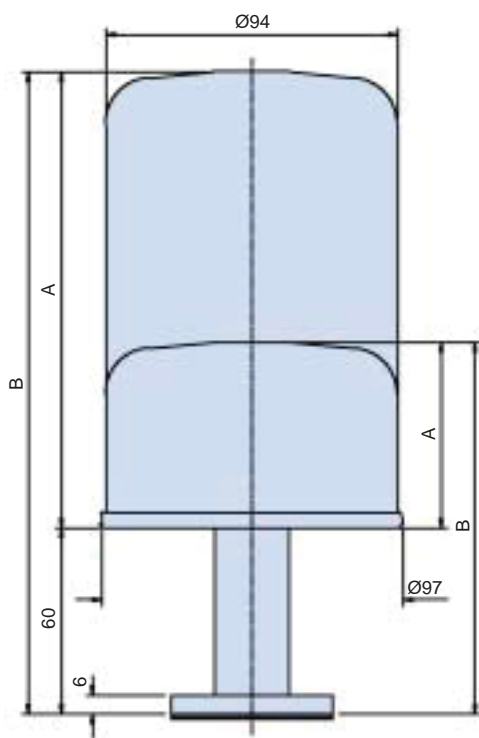
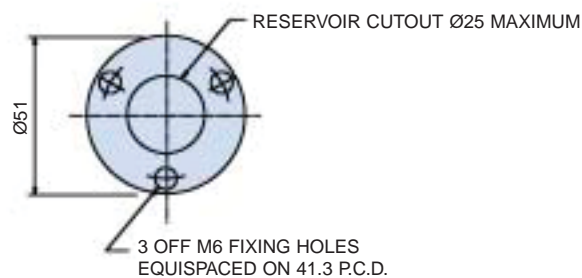




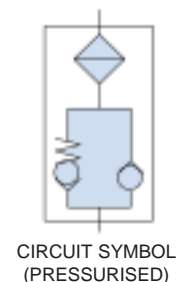
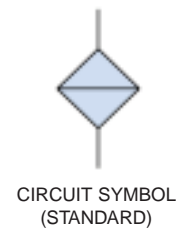
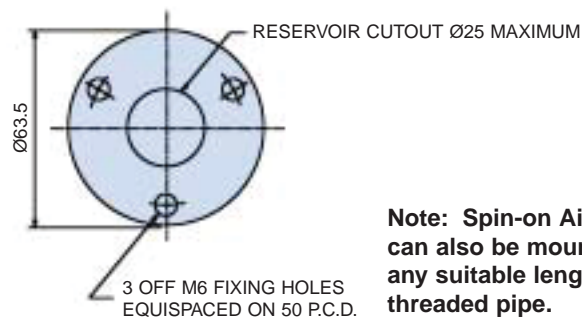
- High capacity air filters designed for the removal of airborne contamination in hydraulic systems to support environmental maintenance.
- Ideal for high flow systems and heavily contaminated environments.
- Disposable spin-on elements quickly and easily replaced.
- 5 micron quality filtration elements.
- 2 models available – 700 l/min and 1500 l/min.
- Available with a pressurised valve in the mounting adaptor.



STANDARD SPIN-ON AIR BREATHER STEM



PRESSURISED SPIN-ON AIR BREATHER STEM



**Note: Spin-on Air Breather Elements can also be mounted directly on to any suitable length of 3/4" BSP threaded pipe.**

## ORDERING INFORMATION

### 5 micron Spin-on Air Breathers

Part Number	Air Flow Rate	A mm	B mm	Weight	Replacement Element
S.340056	700 l/min	60	120	0.6 Kg	4930
S.340052	1500 l/min	148	208	0.75 Kg	5884.10

### Pressurised 5 micron Spin-on Air Breathers

**Note: The reservoir must be capable of withstanding pressurisation.**

Part Number	Air Flow Rate	A mm	B mm	Weight	Replacement Element
*S.340058	700 l/min	60	120	0.69 Kg	4930
**S.340059	700 l/min	60	120	0.69 Kg	4930
* S.340054	1500 l/min	148	208	0.8 Kg	5884.10
**S.340055	1500 l/min	148	208	0.8 Kg	5884.10

\* Valve Crack Pressure 0.35 bar. \*\* Valve Crack Pressure 0.70 bar.