

# Fluid Level Measurement

## Fluid Level/Temperature Gauges

### Reservoir Equipment



## A proven solution for tank oil level measurement

### Universal fixing designed for front or rear tank mounting

Fluid level/temperature gauges are available in 3 sizes each with 2-hole mounting at 76mm, 127mm and 254mm mounting centres. The high-visibility viewing lens is a one-piece design for added security, moulded in shatterproof, transparent polyamide.



## Contact Information:

Parker Hannifin  
**Hydraulic Filter Division Europe**

**European Product Information Centre**  
Freephone: 00800 27 27 5374  
(from AT, BE, CH, CZ, DE, EE, ES, FI, FR, IE, IT, PT, SE, SK, UK)  
filtrationinfo@parker.com

[www.parker.com/hfde](http://www.parker.com/hfde)

## Product Features:

- 3 sizes of fluid level/temperature gauge. 2 hole mounting.
- 76mm, 127mm and 254mm mounting centres.
- A one-piece design, high-visibility viewing lens for added security.
- Moulded in shatterproof, transparent polyamide.

## Specification



### Construction:

Lens Transparent polyamide.  
 Lens base Nylon 66.  
 Shroud High impact polystyrene.  
 No aluminium content.

### Bolts:

Steel.

### Seals:

Nitrile.

### Maximum working pressure:

1 bar.

### Working temperature:

-30°C to +90°C.

### Fluid compatibility:

Mineral and petroleum based oils.

### Note:

A 500mm model with metal shroud finished in black available.

### Recommended bolt tightening torque:

10 Nm maximum.

### Thermometer scale range:

+30°C to +90°C.

### Temperature Indicator:

Blue alcohol.

### Note:

1. Locate seals in mounting recess before fitting.
2. Select the size required by studying the installation details to determine a part number.

## Size 1 Installation Details

### For 'through hole' mounting:

Hole size	-Thread-	
	M10	M12
Preferred	11.0	13.0
Maximum	13.0	14.0

Torque = 10Nm max

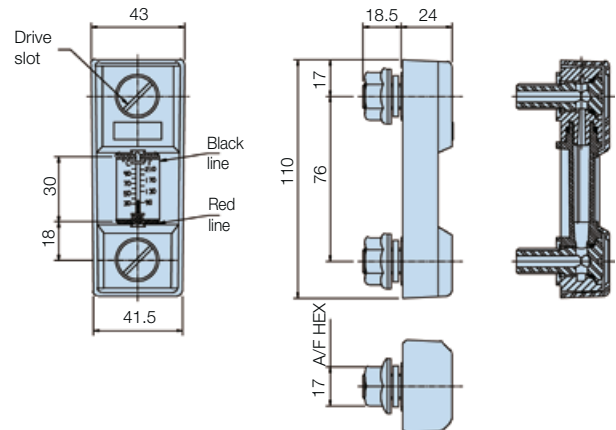
### For tapped holes:

Holes to be tapped square to mounting face.

Tolerance on hole centres: +0.5  
 -0.2

### For welded back nuts:

The above details should be combined.



## Installation and Application Information

### Simple to Install

The universal fixing is designed for either front or rear fixing. Just two holes in the tank – threaded for front fixing – and the gauge is ready to install. After positioning the gauge the bolts are simply tightened to provide a secure seal. There is no fear of leakage with the square section seals and the two-point mounting system eliminates problems with tank distortion. M10 and M12 bolt thread options are available.

### Easy to Read

The high-visibility lens is one-piece for added security and moulded in shatterproof, transparent polyamide for an accurate and clear oil level and temperature indication. Further gauge protection is provided by a specially designed shroud moulded in high-impact, black polystyrene.

## Size 1 Ordering Information

### Standard products table

Part number	Supersedes	Description	Centres	Thread	Max temp	Weight
<b>FL69121</b>	FLT.121	Fluid level/temp	76mm	M10	90°C	0.13Kg
<b>FL69123</b>	FLT.123	Fluid level/temp	76mm	M12	90°C	0.13Kg
<b>FL69111</b>	FL.111	Fluid level	76mm	M10	90°C	0.13Kg
<b>FL69113</b>	FL.113	Fluid level	76mm	M12	90°C	0.13Kg

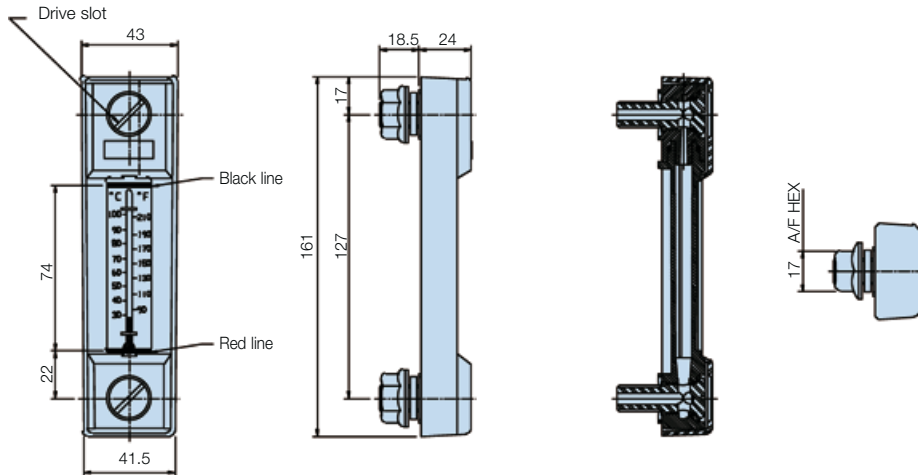
Note 1: Part numbers featured with bold highlighted codes will ensure a 'standard' product selection.

Note 2: Alternate displayed part number selection will require you to contact Parker Filtration for availability.

# Fluid Level/Temperature Gauges

## Reservoir Equipment

### Size 2 Installation Details



### Size 2 Ordering Information

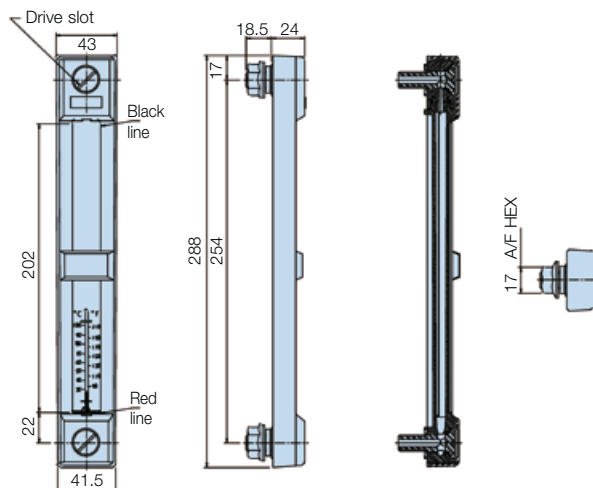
#### Standard products table

Part number	Supersedes	Description	Centres	Thread	Max temp	Weight
<b>FL69221</b>	FLT.221	Fluid level/temp	127mm	M10	90°C	0.15Kg
<b>FL69223</b>	FLT.223	Fluid level/temp	127mm	M12	90°C	0.15Kg
<b>FL69211</b>	FL.211	Fluid level	127mm	M10	90°C	0.15Kg
<b>FL69213</b>	FL.213	Fluid level	127mm	M12	90°C	0.15Kg

Note 1: Part numbers featured with bold highlighted codes will ensure a 'standard' product selection.

Note 2: Alternate displayed part number selection will require you to contact Parker Filtration for availability.

### Size 3 Installation Details



### Size 3 Ordering Information

#### Standard products table

Part number	Supersedes	Description	Centres	Thread	Max temp	Weight
<b>FL69321</b>	FLT.321	Fluid level/temp	254mm	M10	90°C	0.23Kg
<b>FL69323</b>	FLT.323	Fluid level/temp	254mm	M12	90°C	0.23Kg
<b>FL69311</b>	FL.311	Fluid level	254mm	M10	90°C	0.23Kg
<b>FL69313</b>	FL.313	Fluid level	254mm	M12	90°C	0.23Kg

Note 1: Part numbers featured with bold highlighted codes will ensure a 'standard' product selection.

Note 2: Alternate displayed part number selection will require you to contact Parker Filtration for availability.