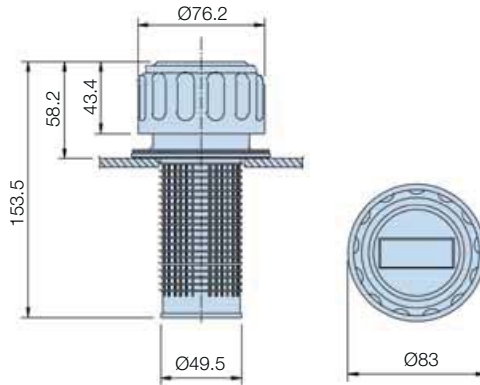


Filler Breathers (Metal)

Reservoir Equipment

Metal Airbreather/Filler breather Specification



Note: Dimensions relate to 1163 and 1730 options.
 Note: Max. operating temperature = +90°C.

Locking lug option (5561)

For added security, certain Parker Filtration Metal Filler Breather Filters can be specified with a locking lug option.



Ordering Information

Standard products table

Part number	Supersedes	Replacement cap	Supersedes	Displacement l/min	Crack pressure	Micron rating	Air flow m ³ /min	Thread	Weight
Threaded airbreather (unpressurised)									
SAB156210	SAB.1562.10	N/A	N/A	430	N/A	10µ abs	0.45	G ¹ / ₄	0.20kg
SAB156310	SAB.1563.10	N/A	N/A	135	N/A	10µ abs	0.15	G ¹ / ₄	0.06kg
Filler breather - filter flange type (unpressurised)									
AB116310	AB.1163.10	CAP.116310	CAP.1163.10	430	N/A	10µ abs	0.45	N/A	0.24kg
AB138010	AB.1380.10	CAP.138010	CAP.1380.10	135	N/A	10µ abs	0.15	N/A	0.08kg
5561	N/A	N/A	N/A	430	N/A	10µ abs	0.45	N/A	0.24kg
Filler breather - filter flange type (pressurised)									
PAB1730105	PAB.1730.10.5	CAP.1730105	CAP.1730.10.5	430	0.35 bar	10µ abs	0.45	N/A	0.27kg
PAB17301010	PAB.1730.10.10	CAP.17301010	CAP.1730.10.10	430	0.70 bar	10µ abs	0.45	N/A	0.27kg
Air breather - threaded type (pressurised)									
SPA1731105	SPA.1731.10.5	N/A	N/A	430	0.35 bar	10µ abs	0.45	G ¹ / ₄	0.20kg
SPA17311010	SPA.1731.10.10	N/A	N/A	430	0.70 bar	10µ abs	0.45	G ¹ / ₄	0.20kg

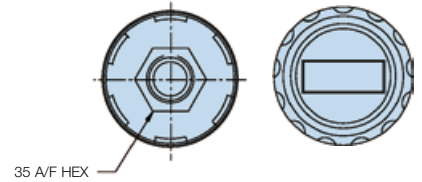
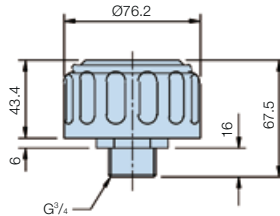
Note 1: Part numbers featured with bold highlighted codes will ensure a 'standard' product selection.

Note 2: Alternate displayed part number selection will require you to contact Parker Filtration for availability.

1731 - (Pressurised) - 1562 (Un-pressurised) - Threaded type

Displacement:
430 l/min.
Micron rating:
10µ abs
Air flow:
0.45m³/min.

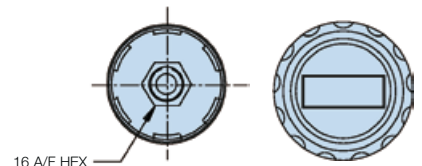
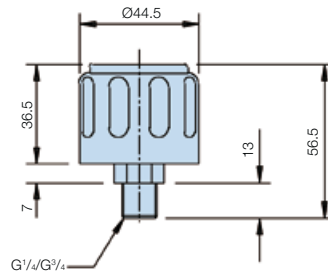
Weight:
0.2 Kg.
Thread:
G³/₄.
Valve crack-pressure 1731:
0.35 and
0.7 bar.



1563 - Threaded type (Un-pressurised)

Displacement:
1562 = 430 l/min.
1563 = 135 l/min.
Micron rating:
10µ abs
Air flow:
1562 = 0.45m³/min.
1563 = 0.15m³/min.

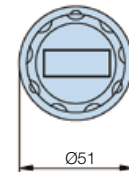
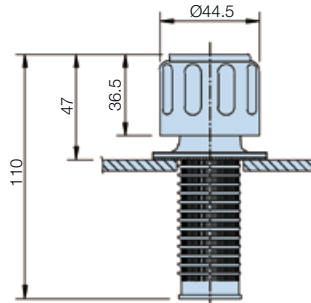
Weight:
1562 = 0.20 Kg.
1563 = 0.06 Kg.
Thread:
1562 = G³/₄.
1563 = G¹/₄.



1380 - Filter flange type

Displacement:
135 l/min.
Micron rating:
10µ abs

Air flow:
0.15m³/min.
Weight:
0.08 Kg.



Note: Tank hole diameter = 30mm.
Funnel diameter = 28mm.

Tank installation notes

1. Un-pressurised 6 hole fixing (Type 1163)

Form off tank mounting holes between Ø4.0 and Ø4.4 (dependant on the material and thickness, consult Parker Filtration) equispaced on 70.0-73.0 P.C.D. to suit
No. 10 thread forming screws supplied.

2. Pressurised 6 hole fixing (Type 1730)

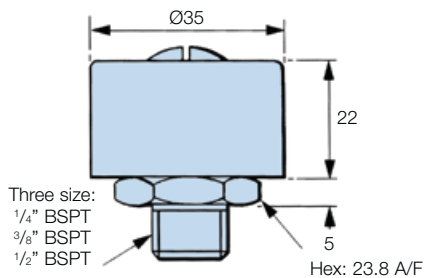
Form 6 off mounting holes between Ø4.0 and Ø4.4 equispaced on 73.0 P.C.D. to suit
No. 10 thread forming screws supplied.

3. Un-pressurised 3 hole fixing (Type 1380)

Form 3 off tank mounting holes between Ø5.25 – 5.35 mm equispaced on 41.3 P.C.D. to suit
No. 10 thread forming screws supplied.

Breather Units

Small Breather Specification



Ordering Information

Part number	Supersedes	Description
H00279001	H00279-001	Small breather 1/4 BSPT thread
H00279002	H00279-002	Small breather 3/8 BSPT thread
H00279003	H00279-003	Small breather 1/2 BSPT thread